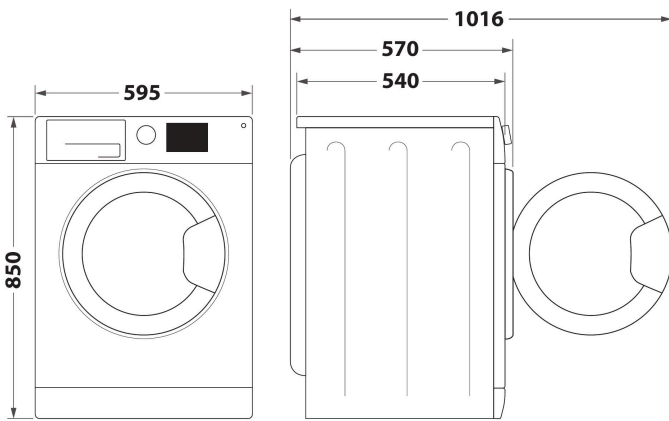


FWDG96148SBS ZA

12NC: 859991548110

GTIN (EAN) code: 8003437232244



- Energy class A
- Drying capacity: 6 kg
- Maximum spin speed: 1400 rpm
- 6TH Sense Technology
- Start delay 1-24h
- Wash & Dry 45 min
- Wash & Dry 90 min
- Program chrono 30
- Eco cotton
- Colours 15°
- Delicates
- Program Progress Indicators
- Cotton
- Wool
- Rinse & spin
- Synthetics
- Silver finishing

Whirlpool freestanding washer dryer: 9kg - FWDG96148SBS ZA

This Whirlpool freestanding Washer Dryer features: silver color. Spacious 6kg drying capacity. Exclusive 6th SENSE technology that constantly monitors the moisture inside the drum, protecting your clothes and providing ideal washing and drying results. A fast, resource-efficient 1400 revolutions per minute spin speed.



Colour 15

This program uses a delicate 15° cycle, designed to preserve the bright colours on synthetic fabrics.



6th Sense Technology

Ideal fabric care. This Whirlpool Dryer's unique 6th SENSE technology provides multiple flows of warm air that delicately dry your laundry, with absolute care.



1 Kg laundry in 45 minutes

Enjoy better results, faster. The 45 Minute program washes and dries 1 kg of laundry in just 45 minutes, providing the excellent results you deserve, in less time.



1400 rpm

Outstanding speed. This Whirlpool Washer Dryer features a 1400 rounds per minute spin speed.



A class

Energy efficient. With its A energy rating, this Whirlpool Washer Dryer will allow you to enjoy both ideal results and lower energy consumption.



9 Kg Wash capacity

All the space you need. With its outstanding 9kg wash capacity, this Whirlpool washer provides all the space you need for your laundry.



SoftMove

SoftMove technology provides a drum motion during cycles, ensuring extra care for your delicate items.



Drying option

Versatile drying options. Customize the drying cycles of your Washer Dryer with the a set of versatile drying options.



DryOnly

Allows users to get their wet laundry dry, even if they washed it by hand, without having to run the wash cycle. If you only need to dry clothes, thus this option can be used in combination with all types of programmes, skipping the wash cycle.



6 Kg Dry capacity

All the space you need. With its outstanding 6kg drum capacity, this Whirlpool Dryer provides all the space you need for your laundry.

FWDG96148SBS ZA

12NC: 859991548110

GTIN (EAN) code: 8003437232244

MAIN FEATURES

Product group	Washer dryer
Commercial code	FWDG96148SBS ZA
GTIN (EAN) code	8003437232244
Construction type	Free-standing
Installation type	Free-standing
Removable work top	No
Loading type	Front loader
Main colour of product	Silver
Electrical connection rating (W)	1850
Current (A)	10
Voltage (V)	220-240
Frequency (Hz)	50
Length of Electrical Supply Cord (cm)	320
Plug type	South Africa
Height of the product	850
Width of the product	595
Depth of the product	540
Depth with open door 90 degree (mm)	-
Net weight (kg)	66

TECHNICAL FEATURES

Automatic programmes	Yes
Moisture monitoring system	Yes
Adjustable drying temperature	No
Progress indicator	DISPLAY
Digital countdown indicator	No
Start delay options	Continuous
Start delay time max. (h)	0
Blocked filter indicator	No
Quick dry	No
Anti-crease function	No
Drum volume (l)	58

PERFORMANCES

Energy efficiency class	A
Spin drying class	-
Capacity cotton (kg) washing	9
Capacity cotton drying (kg)	6
Noise level (dB(A) re 1 pW) -	56
Noise level drying (dB (A) re 1 pW)	0
Rest humidity % on dry load after max. spin	0
Energy consumption (wash and dry of full wash load) (kWh)	0
Energy consumption (wash only) (kWh)	0
Water consumption (wash and dry full wash load) (l)	0
Total annual energy consumption (Washing and drying 200 full loads) (kWh)	0
Total annual water consumption (Washing and drying 200 full loads) (l)	0
Washing and drying cycle time (min)	0

Energy		Washer-dryer
Manufacturer Model		WHIRLPOOL FWDG96148SBS ZA
More efficient		A
Less efficient		
Energy consumption (to wash and dry a full capacity wash load at 60°C)	kWh	0
Washing (only)	kWh	0
<small>Actual energy consumption will depend on how the appliance is used</small>		
Washing performance		A B C D E F G
<small>A: higher Spin speed (rpm) G: lower</small>		1400
Capacity (cotton) kg	Washing Drying	9 6
Water consumption (total) l		0
Noise (dB(A) re 1 pW)	Washing Spinning Drying	0 0 0
<small>Further information is contained in product brochures</small>		
<small>Norm EN 50229 Washer-dryer Label Directive No 96/60/EC</small>		