

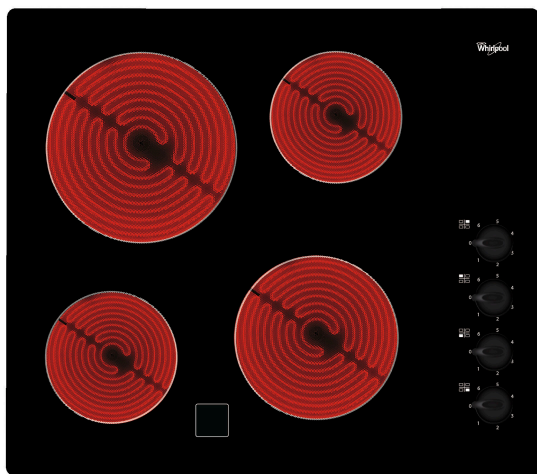
AKM 9010/NE

12NC: 859409001000

GTIN (EAN) code: 8003437829536

Whirlpool

SENSING THE DIFFERENCE



Whirlpool hob - AKM 9010/NE

This Whirlpool Hob features: electric power supply.



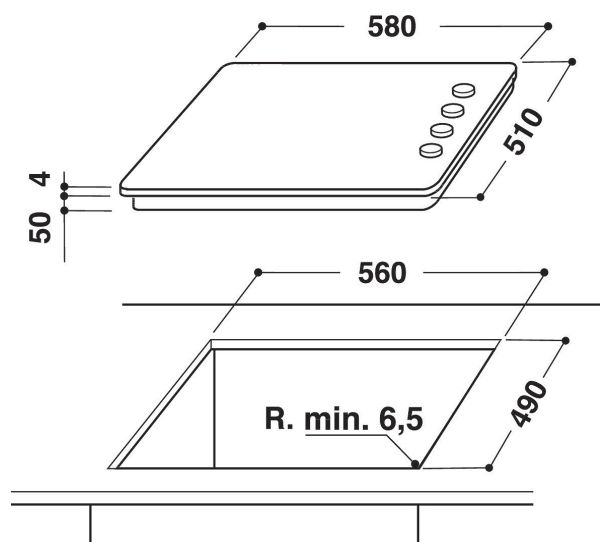
Lateral Controls

Practical design. Modern, beautiful and practical: the lateral controls of this Whirlpool Hob are designed to add an extra touch of style to your kitchen.



Radiant lateral control

This Whirlpool Hob features Radiant lateral flame controls, ensuring both ease of use and outstanding design.



- Residual heat indicator
- On/Off Switch
- Black knobs
- Lateral controls
- 60 cm hob
- Mechanical control
- Black Glass Hob
- 4 Radiant cooking zones
- 4 Plate on Indicator
- Supply cord included
- 4 Cooking zones: 1 Radiant 1200 W, 1 Radiant 2100 W, 1 Radiant 1200 W, and 1 Radiant 1700 W
- Frameless
- Dimensions HxWxD: 50x580x510 mm
- Niche dimensions HxWxD: 50x560x490 mm
- Electrical Connection Rating: 6200 W
- Voltage: 230 V

AKM 9010/NE

12NC: 859409001000

GTIN (EAN) code: 8003437829536

Whirlpool

SENSING THE DIFFERENCE

MAIN FEATURES

Product group	Hob
Construction type	Built-in
Type of control	Mechanical
Type of control settings	-
Number of gas burners	0
Number of electric cooking zones	4
Number of electric plates	0
Number of radiant plates	4
Number of halogen plates	0
Number of induction plates	0
Number of electric warming zones	0
Location of control panel	Lateral
Basic surface material	Glass
Main colour of product	Black
Electrical connection rating (W)	6200
Gas connection rating (W)	0
Current (A)	27
Voltage (V)	230
Frequency (Hz)	50/60
Length of Electrical Supply Cord (cm)	0
Plug type	No
Gas connection	N/A
Width of the product	580
Height of the product	50
Depth of the product	510
Minimum niche height	50
Minimum niche width	560
Niche depth	490
Net weight (kg)	8
Automatic programmes	No

TECHNICAL FEATURES

Power on indicator	No
Number of indicators	4
Type of regulation	Step energy regulated
Type of lid	Without
Residual heat indicator	Separate
Main on/off switch	Yes
Safety device	-
Timer	No

PERFORMANCES

Energy input	Electric
--------------	----------